



Triangular & Square  
Flange 722500 Series

## JAYCO - Triangular & Flanged Bearing Housings

Series :722500

### Description

High-performance flanged housings for Series 1200 K, 2200 K, and 22200 K bearings, secured via adapter sleeves.

### Housing Design

Shaft  $\varnothing$  20–60: Triangular form (3 mounting bolts).

Shaft  $\varnothing$  65–100: Square form (4 mounting holes).

Options: Available for through-shaft (Type B) or end-bearing (Type A).

### Bearing Arrangement

Tolerance: Precision H7bore.

Function: Standard floating design; convertible to locating using fixing rings.

### Sealing & Lubrication

Sealing: Standard felt strip seals.

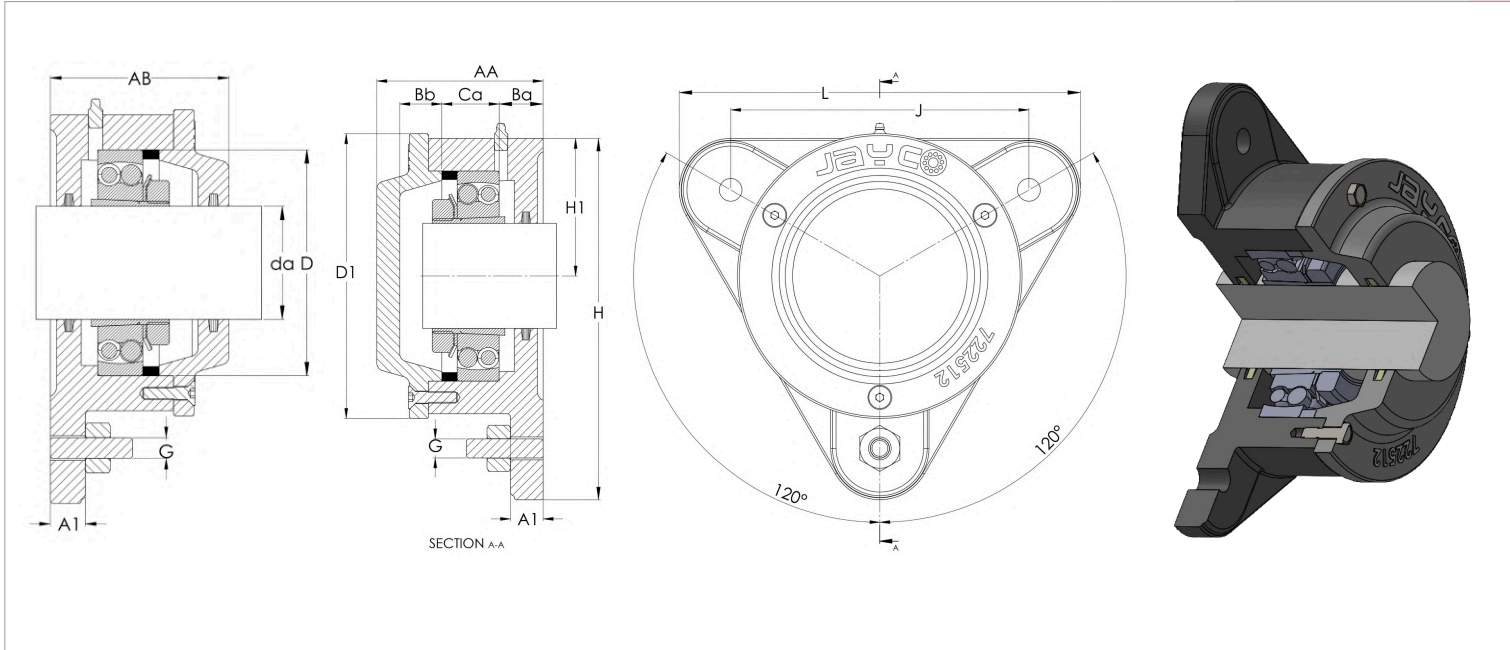
Lubrication: Grease-lubricated with a built-in R1/8" grease hole for maintenance.

### Material

Standard: Cast Iron. (IS 210 FG 220)

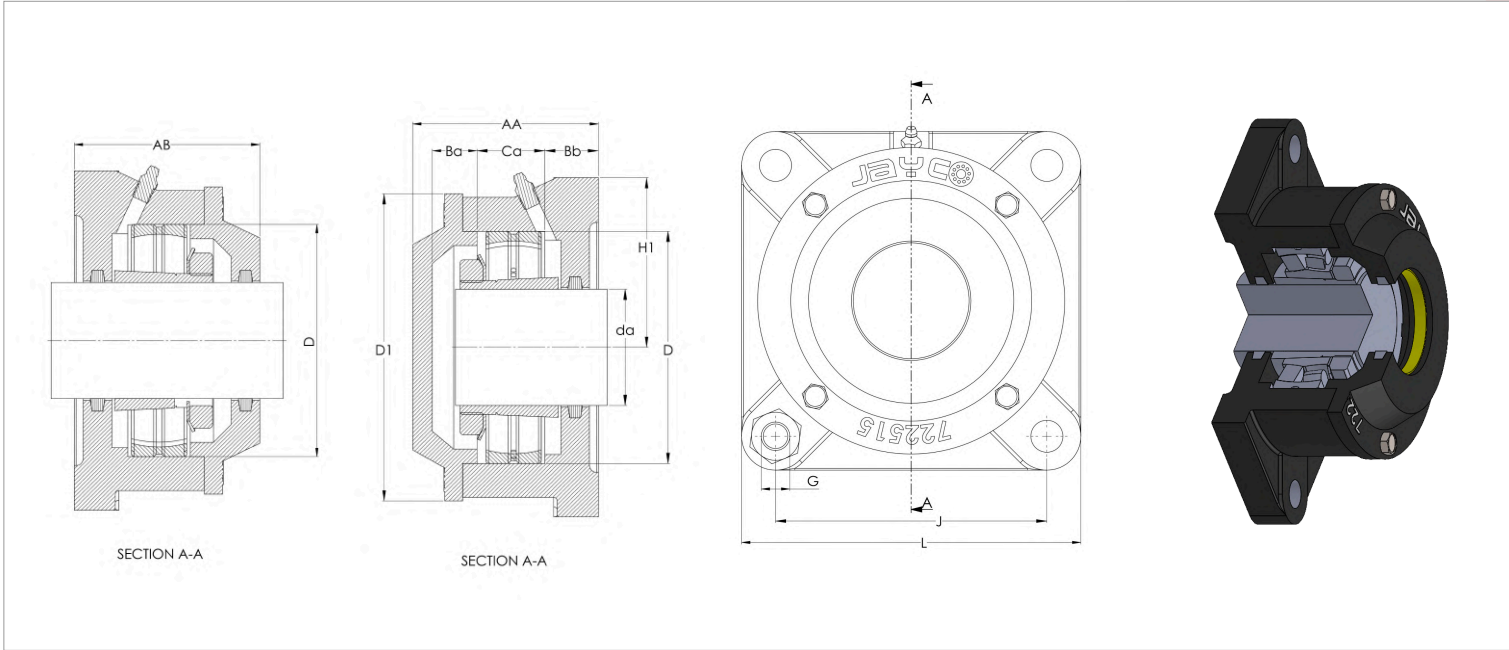
Special Order: Ductile Iron.

Triangular Flanged Bearing housing for bearing with adapter sleeve.



Plummer Block Designation	Shaft Diameter da	Dimensions are in mm													Suitable bearing	Appropriate Sleeve	Felt Strip
		AA	AB	A1	Ba	Bb	D1	H	H1	J	L	G	Ca	D			
722505	20	51.5	56.5	10	15	12.5	75	100	38	96	110	10	20	52	1205 EK	H 205	FS 110
															2205 EK	H 305	
															22205 EK	H 305	
722506	25	57	59.5	12	16	15	86	117	44	116	130	10	22	62	1206 EK	H 206	FS 190
															2206 EK	H 306	
															22206 EK	H 306	
722507	30	59.5	63.5	12	16	14.5	97	130	48.5	130	145	12	25	72	1207 EK	H 207	FS 190
															2207 EK	H 307	
															22207 EK	H 307	
722508	35	64	65.5	12	17	18	108	143	54	140	160	12	25	80	1208 EK	H 208	FS 190
															2208 EK	H 308	
															22208 EK	H 308	
722509	40	64.5	69.5	12	19	16.5	113	160	60	160	180	12	25	85	1209 EK	H 209	FS 190
															2209 EK	H 309	
															22209 EK	H 309	
722510	45	68.5	73	15	22	17.5	118	160	60	160	180	12	25	90	1210 EK	H 210	FS 190
															2210 EK	H 310	
															22210 EK	H 310	
722511	50	75.5	81.5	15	24	19.5	128	172	65	170	192	12	27	100	1211 EK	H 211	FS 260
															2211 EK	H 311	
															22211 EK	H 311	
722512	55	77	82	15	23	19	142	189	72	180	210	12	30	110	1212 EK	H 212	FS 260
															2212 EK	H 312	
															22212 EK	H 312	
722513	60	80	86	15	22	20	152	203	78	190	225	12	30	120	1213 EK	H 213	FS 260
															2213 EK	H 313	
															22213 EK	H 313	

Triangular Flanged Bearing housing for bearing with adapter sleeve.



Plummer Block Designation	Shaft Diameter da	Dimensions are in mm												Suitable bearing	Appropriate Sleeve	Felt Strip
		AA	AB	A1	Ba	Bb	D1	H1	J	L	G	Ca	D			
722515	65	104	104	25	30	27	168	95	152	190	16	41	130	1215 EK	H 215	FS 260
														2215 EK	H 315	
														22215 EK	H 315	
722516	70	110	110	25	31	30	176	98	152	196	16	43	140	1216 EK	H 216	FS 330
														2216 EK	H 316	
														22216 EK	H 316	
722517	75	114	114	25	31	30	188	105	170	210	16	46	150	1217 EK	H 217	FS 330
														2217 EK	H 317	
														22217 EK	H 317	
722518	80	118	118	25	30	31	198	105	170	210	16	50	160	1218 EK	H 218	FS 330
														2218 EK	H 318	
														22218 EK	H 318	
722520	90	127	127	30	33	33	224	125	198	250	20	56	180	1220 EK	H 220	FS 370
														2220 EK	H 320	
														22220 EK	H 320	
722522	100	137	137	30	38	38	246	135	219	270	20	63	200	1222 EK	H 222	FS 460
														2222 EK	H 322	
														22222 EK	H 322	